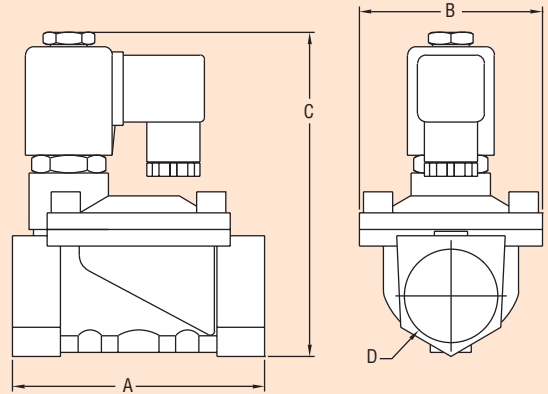
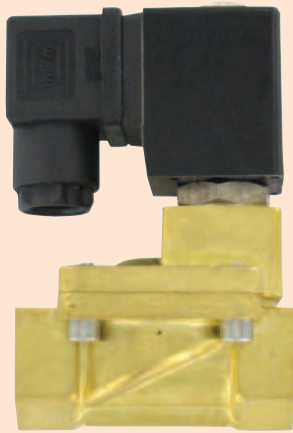




Series
SBSV-B

Brass Solenoid Valves — 2-Way Guided NC

Compact Design, Immune to Mounting Orientation



Model	A in [mm]	B in [mm]	C in [mm]	D [NPT]	Weight lb [kg] SBSV-B
SBSV-B1NX	1-5/8 [41]	1-5/32 [29]	3-9/32 [83]	1/8"	0.82 [0.37]
SBSV-B2NX	1-5/8 [41]	1-5/32 [29]	3-9/32 [83]	1/4"	0.79 [0.36]
SBSV-B3NX	2-5/8 [66]	1-57/64 [48]	4-7/16 [112]	3/8"	1.54 [0.7]
SBSV-B4NX	2-5/8 [66]	1-57/64 [48]	4-7/16 [112]	1/2"	1.98 [0.9]
SBSV-B5NX	2-61/64 [75]	2-19/64 [58]	4-21/32 [118]	3/4"	1.98 [0.9]
SBSV-B6NX	3-25/32 [96]	2-49/64 [70]	5-11/64 [131]	1"	3.09 [1.4]
SBSV-B7NX	5-11/64 [131]	3-25/32 [96]	3-3/4 [146]	1-1/4"	6.17 [2.8]
SBSV-B8NX	5-11/64 [131]	3-25/32 [96]	5-3/4 [146]	1-1/2"	5.95 [2.7]
SBSV-B9NX	6-1/2 [165]	4-47/64 [120]	6-37/64 [167]	2"	10.58 [4.8]

Series SBSV-B Solenoid Valves are compact, general-service, two-way guide type solenoid valves for air, gas, water and other liquid applications. They are available in brass with a normally closed design and can be oriented in any position. The solenoid enclosure provides protection against dust, while also protecting against seepage of oil and non-corrosive coolants. The Series SBSV-B valves come assembled with an NBR seal, having a maximum process temperature of 176°F (80°C). The series offers a wide range of valve sizes and flow ranges, with connection sizes from 1/8" to 2" NPT and orifices from 3 mm to 50 mm.

Voltage	50 Hz (VA)		60 Hz (VA)		DC (W)
	Inrush	Holding	Inrush	Holding	
220 VAC	55	22	55	18	-
110 VAC	55	22	55	18	-
24 VAC	45	18	45	15	-
24 VDC	-	-	-	-	13

Model	Connection, NPT	Orifice in (mm)	CV Value	Voltage
SBSV-B1N1	1/8"	0.12 (3)	0.23	110 VAC
SBSV-B2N1	1/4"	0.12 (3)	0.23	110 VAC
SBSV-B3N1	3/8"	0.51 (13)	4.5	110 VAC
SBSV-B4N1	1/2"	0.51 (13)	4.5	110 VAC
SBSV-B5N1	3/4"	0.79 (20)	7.6	110 VAC
SBSV-B6N1	1"	0.98 (25)	12	110 VAC
SBSV-B7N1	1-1/4"	1.38 (35)	22	110 VAC
SBSV-B8N1	1-1/2"	1.57 (40)	30	110 VAC
SBSV-B9N1	2"	1.97 (50)	48	110 VAC

SPECIFICATIONS

Service: Compatible gases and liquids.

Line Size: 1/8 to 2" NPT.

End Connections: Female NPT.

Operating Pressure:

1/8 to 1/4": 0 psi (0 bar) to 188.5 psi (13 bar);

3/8 to 2": 7.3 psi (0.5 bar) to 188.5 psi (13 bar).

Pressure Limit: 246.6 psi (12 bar).

Wetted Material: Body: Brass; Spring: 304 SS; Seal: NBR.

Temperature Limits:

Process: 176°F (80°C);

Ambient: 32 to 149°F (0 to 65°C).

Power Requirements: Standard: 110 VAC; Optional: 220 VAC, 24 VDC, 24 VAC consult factory. See Series SRC Solenoid Coils.

Power Consumption: See table.

Enclosure Rating: NEMA 13 (IP54).

Electrical Connection: DIN connection.

Other Materials: Nylon.

Mounting Orientation: Any position, best if solenoid vertically above valve.

Weight: See table above.

Type of Operation: NC.

Agency Approvals: CE.