

MAGNEHELIC® DIFFERENTIAL PRESSURE GAGES

DISPONIBILE con custodia ATEX

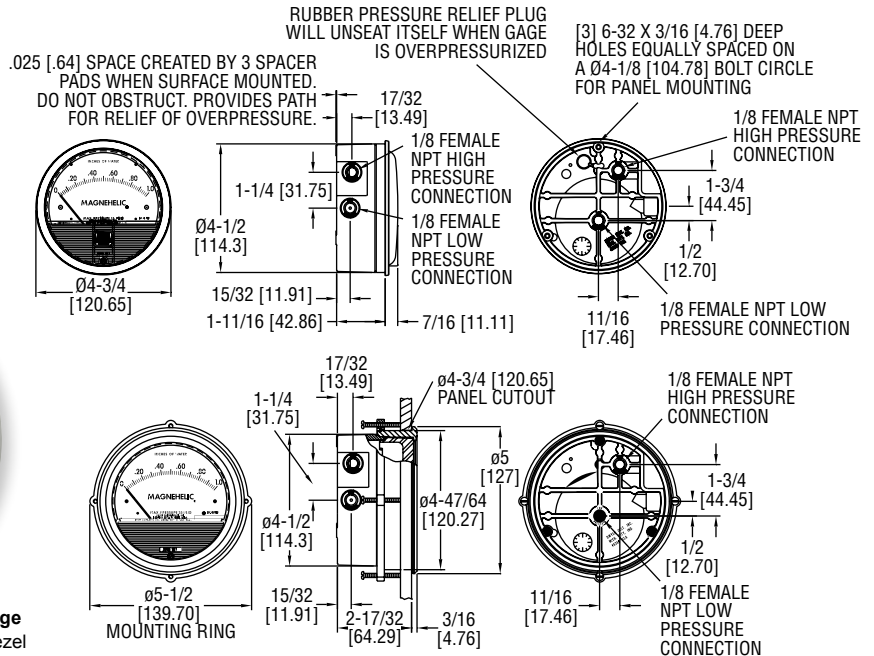
Indicate Positive, Negative or Differential, Accurate within 1%



Standard Magnehelic® Gage



High Accuracy Magnehelic® Gage
Note: Shown with optional -SS bezel



Select the **SERIES 2000** Magnehelic® Gage for a versatile low differential pressure gage with a wide choice of 81 models and 27 options to choose from. Using Dwyer's simple, frictionless Magnehelic® gage movement, it quickly indicates air or non-corrosive gas pressures--either positive, negative (vacuum) or differential. The design resists shock, vibration, over-pressures and is weatherproof to IP67. Select the -HA High Accuracy Magnehelic Gage® option for an accuracy within 1% of full scale. Also included with the -HA option at no extra cost are a mirrored scale overlay and a 6 point calibration certificate.

FEATURES/BENEFITS

- Easy to read gage through undistorted plastic face permits viewing from far away
- Patented design provides quick response to pressure changes means no delay in assessing critical situations
- Durable and rugged housing and high-quality components combine to provide long-service life and minimized down-time
- High accuracy option is twice as accurate as the standard Magnehelic® gage.

APPLICATIONS

- Filter monitoring
- Air velocity with Dwyer pitot tube
- Blower vacuum monitoring
- Fan pressure indication
- Duct, room or building pressures
- Clean room positive pressure indication

ACCESSORIES

Model	Description
A-432	Portable kit; combine carrying case with any Magnehelic® gage of standard range, except high pressure connection. Includes 9 ft (2.7 m) of 3/16" ID rubber tubing, standhang bracket and terminal tube with holder
A-605	Air filter gage accessory kit; adapts any standard Magnehelic® gage for use as an air filter gage. Includes aluminum surface mounting bracket with screws, two 5 ft (1.5 m) lengths of 1/4" aluminum tubing, two static pressure tips and two molded plastic vent valves, integral compression fittings on both tips and valves
A-605B	Air filter gage accessory kit; air filter kit with two plastic open/close valves, two 4" steel static tips, plastic tubing and mounting flange
A-605C	Air filter gage accessory kit; air filter kit with two plastic open/close valves, two plastic static tips, plastic tubing and mounting flange

SPECIFICATIONS

Service: Air and non-combustible, compatible gases (natural gas option available). **Note:** May be used with hydrogen. Order a Buna-N diaphragm. Pressures must be less than 35 psi.

Wetted Materials: Consult factory.

Housing: Die cast aluminum case and bezel, with acrylic cover. Exterior finish is coated gray to withstand 168 hour salt spray corrosion test.

Accuracy: ±2% (-HA model ±1) of FS (±3% (-HA ±1.5%) on -0, -100PA, -125PA, -10MM and ±4% (-HA ±2%) on -00, -60PA, -6MM ranges), throughout range at 70°F (21.1°C).

Pressure Limits: -20 in Hg to 15 psig† (-0.677 to 1.034 bar); MP option: 35 psig (2.41 bar); HP option: 80 psig (5.52 bar).

Enclosure Rating: IP67.

Overpressure: Relief plug opens at approximately 25 psig (1.72 bar), standard gages only. ⚠

Temperature Limits: 20 to 140°F* (-6.67 to 60°C). -20°F (-28°C) with low temperature option.

Size: 4" (101.6 mm) diameter dial face.

Mounting Orientation: Diaphragm in vertical position. Consult factory for other position orientations.

Process Connections: 1/8" female NPT duplicate high and low pressure taps - one pair side and one pair back.

Weight: 1 lb 2 oz (510 g), MP & HP 2 lb 2 oz (963 g).

Standard Accessories: Two 1/8" NPT plugs for duplicate pressure taps, two 1/8" pipe thread to rubber tubing adapter, and three flush mounting adapters with screws. (Mounting and snap ring retainer substituted for three adapters in MP & HP gage accessories.)

Agency Approvals: Meets the technical requirements of EU Directive 2011/65/EU (RoHS II). **Note:** -SP models not RoHS approved.

Note: For applications with high cycle rate within gage total pressure rating, next higher rating is recommended. See Medium and High pressure options.

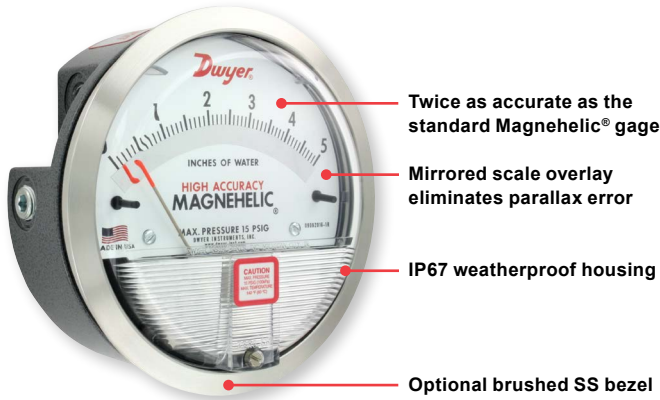
*Low temperature models available as special options.



⚠ Over Protection Note: See page 21 (Series 2000)



HIGH ACCURACY MAGNEHELIC® DIFFERENTIAL PRESSURE GAGE



6-Point Calibration Certificate Included

OPTIONS - HIGH ACCURACY MAGNEHELIC® GAGE	
To order add suffix:	Description
-HA	High Accuracy Magnehelic® Gage. Accuracy within 1% and weatherproof. Also includes mirrored scale overlay and a six point calibration certificate
-SS	Corrosion resistant brushed 304 stainless steel bezel

Accuracy Specifications: See page 20 (Series 2000)

ADDITIONAL GAGE OPTIONS



OPTIONS - OTHER OPTIONAL BEZELS	
To order add suffix:	Description
-CB	Chrome bezel option: A chrome plated aluminum bezel for an aesthetically pleasing finish when mounting on metal surfaces such as control panels.
-SB	Stainless steel bezel option: 304 stainless steel electro polished Ra 16 finished bezel.
-SS	Corrosion resistant brushed 304 stainless steel bezel



LED Setpoint Indicator

Adjustable Signal Flag

OPTION - LED SETPOINT INDICATOR	
To order add suffix:	Description
-SP	Bright red LED on right scale shows when setpoint is reached. Field adjustable from gage face, unit operates on 12-24 VDC. Setpoint indicator option comes with medium pressure (MP) bezel.

Note: 4-13/16" hole for flush mounting.



Transparent Overlay

Mirrored Scale Overlay

OPTION - ADJUSTABLE SIGNAL FLAG	
To order add suffix:	Description
-ASF	Integral with plastic gage cover. Available for most models except those with medium or high pressure construction. Can be ordered with gage or separate.

OPTIONS - TRANSPARENT OVERLAYS	
To order add suffix:	Description
-G	Green (to highlight and emphasize critical pressures)
-R	Red (to highlight and emphasize critical pressures)
-Y	Yellow (to highlight and emphasize critical pressures)



A-481

Integrated Mounting Plate

OPTION - MIRRORED SCALE OVERLAY	
To order add suffix:	Description
-M	A mirrored scale overlay is also available to assist in reducing parallax error.

OPTIONS - INTEGRATED MOUNTING PLATE	
To order add suffix:	Description
-AHU1	Furnished with attached surface mounting plate
-AHU2	Furnished with attached surface mounting plate and including A-481 installer kit (2 plastic static pressure tips and 7' of PVC tubing)



OPTIONS - FOR HIGH STATE PRESSURE APPLICATIONS	
To order add suffix:	Description
-HP	High pressure option: for pressures to 80 psig
-MP	Medium pressure option: for pressures to 35 psig

OPTIONS	
To order add suffix:	Description
-FC	Factory calibration certificate
-LT	Low temperatures to -20°F (-28°C)
-NIST	NIST traceable calibration certificate



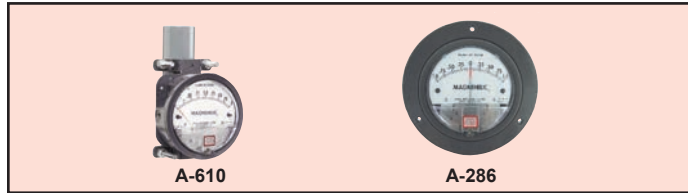
Magnehelic® Gage Mounting Accessories

MOUNTING. A single case size is used for most models of Magnehelic® gages. They can be flush or surface mounted with standard hardware supplied. Complete mounting and connection fittings plus instructions are furnished with each instrument. A 4-9/16" hole is required for flush panel mounting.

Flush mounting is easily accomplished with the new A-300 Flush Mounting bracket. This bracket provides a solution to quickly and conveniently flush mount the Magnehelic®. The A-300 is ideal for mounting the Magnehelic® on control panel doors.

The A-368 is a simple bracket for quickly surface mounting the Magnehelic® gage. After securing the Magnehelic® to the A-368 bracket, mount the bracket on any flat surface.

The A-369 allows the Magnehelic® to be easily carried to locations where pressure readings need to be taken. The A-369 can stand on its own or hang on a nail or hook.



A-610

A-286

PIPE

A-610, Pipe Mounting Kit for installing on 1-1/4" to 2" horizontal or vertical pipe

PANEL

A-286, Magnehelic® Gage Panel Mounting Flange

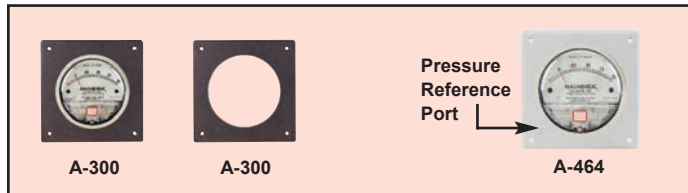


A-369

A-369

PORTABLE

A-369, Stand-Hang Bracket, aluminum, for Magnehelic® gage

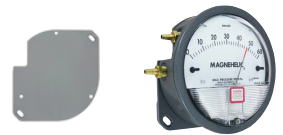


A-300

A-300

Pressure Reference Port

A-464

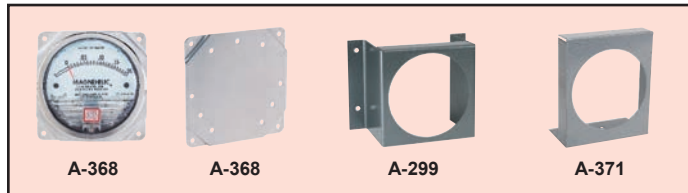


A-607 Placca per montaggio a parete

FLUSH

A-300, Flush Mounting Bracket

A-464, Flush Mount Kit for Magnehelic® Gages



A-368

A-368

A-299

A-371

SURFACE

A-368, Surface Mounting Plate, aluminum, for Magnehelic® gage

A-299, Mounting Bracket, flush mount for Magnehelic® Gage. Bracket is then surface mounted. Steel with gray hammerloid epoxy finish

A-371, Surface Mounting Bracket. Use with medium pressure (-MP) or high pressure (-HP) models only

SERIES A-320

INSTRUMENT ENCLOSURES

Protects Various Instruments



A-320-A1



A-320-B1



A-320-BC



A-320-A-SS



A-320-B-SS

The **Series A-320 Instrument Enclosures** protect instruments in all applications. The enclosures, available in plastic and stainless steel, fit a variety of gages including the Series 605 transmitter, DM-2000, 3000MR/MRS and DH3. All models include silicone tubing, Banjo fittings, and threaded pressure connections pre-installed. The threaded pressure connections allow the user to easily change the connection type through the use of fittings or adapters. This modification can be implemented to allow connection to a wide variety of plastic or metal tubing.

MODEL CHART

Model	Description
A-320-A1*	2000 Magnehelic® gage, DM-2000 differential pressure transmitter
A-320-B1**	3000MR/MRS Photohelic® switch/gage, Series 605 Magnehelic® differential pressure transmitter, DH3 DigiHelic® pressure controller, 2000 Magnehelic® gage with medium and high pressure options
A-320-BC	2000 Magnehelic® gage, DM-1000 DigiMag® digital differential pressure gage, DM-2000 differential pressure transmitter, instruments with backwards compatible bezel option
A-320-A-SS	2000 Magnehelic® gage
A-320-B-SS	2000 Magnehelic® gage, DM-2000 differential pressure transmitter



ULTERIORI OPZIONI

- AT con targhetta di alluminio, 2 linee, massimo 9 caratteri per linea
- BUNA con guarnizione in Buna, adatta per gas naturale e metano, suggeriamo anche le opzioni IC e MP o HP
- COO con certificato di origine
- HC calibrato per funzionare montato in orizzontale
- IC cassa impregnata, adatta per gas combustibile o elio
- NIST con certificato di taratura NIST
- SF senza silicone
- SPCL sgrassato
- ST con targhetta in acciaio inox, 3 linee, massimo 15/13/15 car. per linea
- TA tarato per funzionare montato con l'angolo di inclinazione voluto
- VIT guarnizione in Viton, racc. per ossigeno e ozono

ULTERIORI SCALE NELLE PAGINE SEGUENTI

Ulteriori Scale

2000-00N 0.05-0-.20" w.c.

2000-00 0-.25" w.c.

2000-0 0-.5" w.c.

2001 0-1" w.c.

2002 0-2" w.c.

2003 0-3" w.c.

2004 0-4" w.c.

2005 0-5" w.c.

2006 0-6" w.c.

2008 0-8" w.c.

2010 0-10" w.c.

2012 0-12" w.c.

2015 0-15" w.c.

2020 0-20" w.c.

2025 0-25" w.c.

2030 0-30" w.c.

2040 0-40" w.c.

2045 0-45" w.c.

2050 0-50" w.c.

2060 0-60" w.c.

2080 0-80" w.c.

2100 0-100" w.c.

2120 0-120" w.c.

2150 0-150" w.c.

2160 0-160" w.c.

2180 0-180" w.c.

2200 0-200" w.c.

2250 0-250" w.c.

2300 0-300" w.c.

2400 0-400" w.c.

2500 0-500" w.c.

2300-00 0.125-0-0.125" w.c.

2300-0 0.25-0-0.25" w.c.

2301 0.5-0-0.5" w.c.

2302 1-0-1" w.c.

2304 2-0-2" w.c.

2305 2.5-0-2.5" w.c.

2306 3-0-3" w.c.

2308 4-0-4" w.c.

2310 5-0-5" w.c.

2312 6-0-6" w.c.

2316 8-0-8" w.c.

2320 10-0-10" w.c.

2330 15-0-15" w.c.



2340 20-0-20" w.c.

2350 25-0-25" w.c.

2360 30-0-30" w.c.

2380 40-0-40" w.c.

23100 50-0-50" w.c.

23150 75-0-75" w.c.

2000-1FTWC 0-1 ft w.c.

2000-1.5FTWC 0-1.5 ft w.c.

2000-2FTWC 0-2 ft w.c.

2000-2.5FTWC 0-2.5 ft w.c.

2000-3FTWC 0-3 ft w.c.

2000-4FTWC 0-4 ft w.c.

2000-5FTWC 0-5 ft w.c.

2000-6FTWC 0-6 ft w.c.

2000-8FTWC 0-8 ft w.c.

2000-10FTWC 0-10 ft w.c.

2000-12FTWC 0-12 ft w.c.

2000-12.5FTWC 0-12.5 ft w.c.

2000-15FTWC 0-15 ft w.c.

2000-20FTWC 0-20 ft w.c.

2000-25FTWC 0-25 ft w.c.

2000-30FTWC 0-30 ft w.c.

2000-35FTWC 0-35 ft w.c.

2000-40FTWC 0-40 ft w.c.

2000-50FTWC 0-50 ft w.c.

2000-60FTWC 0-60 ft w.c.

2000-00D 0-0.25" w.c. & 0-62 Pa

2000-0D 0-0.5" w.c. & 0-125 Pa

2001D 0-1" w.c. & 0-250 Pa

2002D 0-2" w.c. & 0-500 Pa

2003D 0-3" w.c. & 0-750 Pa

2004D 0-4" w.c. & 0-1 kPa

2005D 0-5" w.c. & 0-1.25 kPa

2006D 0-6" w.c. & 0-1.5 kPa

2008D 0-8" w.c. & 0-2 kPa

2010D 0-10" w.c. & 0-2.5 kPa

2015D 0-15" w.c. & 0-3.7 kPa

2020D 0-20" w.c. & 0-5 kPa

2025D 0-25" w.c. & 0-5.2 kPa

2030D 0-30" w.c. & 0-7.5 kPa

2040D 0-40" w.c. & 0-10 kPa

2050D 0-50" w.c. & 0-12.4 kPa

2060D 0-60" w.c. & 0-15 kPa

2100D 0-100" w.c. & 0-25 kPa

2200D 0-200" w.c. & 0-50 kPa

2310D 5-0-5" w.c. & 1.25-0-1.25 kPa

2000-00AV 0-0.25" w.c. & 0-2000 FPM

2000-0AV 0-0.5" w.c. & 0-2800 FPM

2001AV 0-1" w.c. & 0-4000 FPM

2002AV 0-2" w.c. & 0-5600 FPM

2005AV 0-5" w.c. & 0-8800 FPM
 2010AV 0-10" w.c. & 0-12500 FPM
 2015AV 0-15" w.c. & 0-15500 FPM
 2020AV 0-20" w.c. & 0-17500 FPM
 2025AV 0-25" w.c. & 0-20000 FPM
 2000-00MV 0-60 Pa & 0-9.8 m/s
 2000-0MV 0-125 Pa & 0-14.4 m/s
 2001MV 0-250 Pa & 0-20 m/s
 2002MV 0-500 Pa & 0-28 m/s
 2005MV 0-1.25 kPa & 0-45 m/s
 2008MV 0-2 kPa & 0-57 m/s
 2015MV 0-3.5 kPa & 0-76 m/s
 2020MV 0-5 kPa & 0-90 m/s
 2024MV 0-6 kPa & 0-98 m/s
 2201 0-1 psid
 2202 0-2 psid
 2203 0-3 psid
 2204 0-4 psid
 2205 0-5 psid
 2206 0-6 psid
 2208 0-8 psid
 2210 0-10 psid
 2215 0-15 psid
 2220 0-20 psid
 2230 0-30 psid
 2000-0.25HG 0-.25" Hg
 2000-0.5HG 0-.5" Hg
 2000-1HG 0-1" Hg
 2000-1.5HG 0-1.5" Hg
 2000-2HG 0-2" Hg
 2000-3HG 0-3" Hg
 2000-4HG 0-4" Hg
 2000-5HG 0-5" Hg
 2000-6HG 0-6" Hg
 2000-7HG 0-7" Hg
 2000-8HG 0-8" Hg
 2000-9HG 0-9" Hg
 2000-10HG 0-10" Hg
 2000-11HG 0-11" Hg
 2000-12HG 0-12" Hg
 2000-15HG 0-15" Hg
 2000-16HG 0-16" Hg
 2000-20HG 0-20" Hg
 2000-25HG 0-25" Hg
 2000-30HG 0-30" Hg
 2000-40HG 0-40" Hg
 2000-50HG 0-50" Hg
 2000-60HG 0-60" Hg
 2300-0.5HG 0.25-0-0.25" Hg
 2300-1HG 0.5-0-0.5" Hg



2300-2HG 1-0-1" Hg
 2300-30HG 15-0-15" Hg
 2000-0.5MMHG 0-0.5 mm Hg
 2000-1MMHG 0-1 mm Hg
 2000-2MMHG 0-2 mm Hg
 2000-4MMHG 0-4 mm Hg
 2000-5MMHG 0-5 mm Hg
 2000-6MMHG 0-6 mm Hg
 2000-7MMHG 0-7 mm Hg
 2000-8MMHG 0-8 mm Hg
 2000-9MMHG 0-9 mm Hg
 2000-10MMHG 0-10 mm Hg
 2000-11MMHG 0-11 mm Hg
 2000-12MMHG 0-12 mm Hg
 2000-15MMHG 0-15 mm Hg
 2000-20MMHG 0-20 mm Hg
 2000-25MMHG 0-25 mm Hg
 2000-30MMHG 0-30 mm Hg
 2000-35MMHG 0-35 mm Hg
 2000-40MMHG 0-40 mm Hg
 2000-50MMHG 0-50 mm Hg
 2000-60MMHG 0-60 mm Hg
 2000-80MMHG 0-80 mm Hg
 2000-100MMHG 0-100 mm Hg
 2000-150MMHG 0-150 mm Hg
 2000-200MMHG 0-200 mm Hg
 2000-250MMHG 0-250 mm Hg
 2000-300MMHG 0-300 mm Hg
 2000-350MMHG 0-350 mm Hg
 2000-400MMHG 0-400 mm Hg
 2300-60MMHG 30-0-30 mm Hg
 2000-6MM 0-6 mm w.c.
 2000-8MM 0-8 mm w.c.
 2000-10MM 0-10 mm w.c.
 2000-12MM 0-12 mm w.c.
 2000-15MM 0-15 mm w.c.
 2000-20MM 0-20 mm w.c.
 2000-25MM 0-25 mm w.c.
 2000-30MM 0-30 mm w.c.
 2000-35MM 0-35 mm w.c.
 2000-40MM 0-40 mm w.c.
 2000-50MM 0-50 mm w.c.
 2000-60MM 0-60 mm w.c.
 2000-75MM 0-75 mm w.c.
 2000-80MM 0-80 mm w.c.
 2000-100MM 0-100 mm w.c.
 2000-125MM 0-125 mm w.c.
 2000-150MM 0-150 mm w.c.
 2000-200MM 0-200 mm w.c.
 2000-250MM 0-250 mm w.c.

2000-300MM 0-300 mm w.c.
 2000-350MM 0-350 mm w.c.
 2000-375MM 0-375 mm w.c.
 2000-400MM 0-400 mm w.c.
 2000-500MM 0-500 mm w.c.
 2000-600MM 0-600 mm w.c.
 2000-700MM 0-700 mm w.c.
 2000-750MM 0-750 mm w.c.
 2000-800MM 0-800 mm w.c.
 2000-1000MM 0-100 x 10 mm w.c.
 2000-1200MM 0-120 x 10 mm w.c.
 2000-1500MM 0-150 x 10 mm w.c.
 2000-1600MM 0-160 x 10 mm w.c.
 2000-1800MM 0-180 x 10 mm w.c.
 2000-2000MM 0-200 x 10 mm w.c.
 2000-3000MM 0-300 x 10 mm w.c.
 2000-4000MM 0-400 x 10 mm w.c.
 2000-5000MM 0-500 x 10 mm w.c.
 2300-6MM 3-0-3 mm w.c.
 2300-10MM 5-0-5 mm w.c.
 2300-12MM 6-0-6 mm w.c.
 2300-14MM 7-0-7 mm w.c.
 2300-20MM 10-0-10 mm w.c.
 2300-30MM 15-0-15 mm w.c.
 2300-40MM 20-0-20 mm w.c.
 2300-50MM 25-0-25 mm w.c.
 2300-60MM 30-0-30 mm w.c.
 2300-80MM 40-0-40 mm w.c.
 2300-100MM 50-0-50 mm w.c.
 2300-150MM 75-0-75 mm w.c.
 2300-160MM 80-0-80 mm w.c.
 2300-200MM 100-0-100 mm w.c.
 2300-250MM 125-0-125 mm w.c.
 2300-300MM 150-0-150 mm w.c.
 2300-320MM 160-0-160 mm w.c.
 2300-400MM 200-0-200 mm w.c.
 2300-450MM 225-0-225 mm w.c.
 2300-500MM 250-0-250 mm w.c.
 2300-600MM 300-0-300 mm w.c.
 2300-700MM 350-0-350 mm w.c.
 2300-750MM 375-0-375 mm w.c.
 2300-800MM 400-0-400 mm w.c.
 2300-1000MM 500-0-500 mm w.c.
 2000-1.5CM 0-1.5 cm w.c.
 2000-2CM 0-2 cm w.c.
 2000-2.5CM 0-2.5 cm w.c.
 2000-3CM 0-3 cm w.c.
 2000-4CM 0-4 cm w.c.
 2000-5CM 0-5 cm w.c.
 2000-6CM 0-6 cm w.c.

2000-8CM 0-8 cm w.c.
 2000-10CM 0-10 cm w.c.
 2000-15CM 0-15 cm w.c.
 2000-20CM 0-20 cm w.c.
 2000-25CM 0-25 cm w.c.
 2000-30CM 0-30 cm w.c.
 2000-35CM 0-35 cm w.c.
 2000-40CM 0-40 cm w.c.
 2000-50CM 0-50 cm w.c.
 2000-60CM 0-60 cm w.c.
 2000-80CM 0-80 cm w.c.
 2000-100CM 0-100 cm w.c.
 2000-125CM 0-125 cm w.c.
 2000-150CM 0-150 cm w.c.
 2000-200CM 0-200 cm w.c.
 2000-250CM 0-250 cm w.c.
 2000-300CM 0-300 cm w.c.
 2000-350CM 0-350 cm w.c.
 2000-400CM 0-400 cm w.c.
 2000-500CM 0-500 cm w.c.
 2000-600CM 0-600 cm w.c.
 2000-700CM 0-700 cm w.c.
 2000-1000CM 0-100 x 10 cm w.c.
 2300-2CM 1-0-1 cm w.c.
 2300-3CM 1.5-0-1.5 cm w.c.
 2300-4CM 2-0-2 cm w.c.
 2300-5CM 2.5-0-2.5 cm w.c.
 2300-10CM 5-0-5 cm w.c.
 2300-20CM 10-0-10 cm w.c.
 2300-30CM 15-0-15 cm w.c.
 2300-40CM 20-0-20 cm w.c.
 2300-50CM 25-0-25 cm w.c.
 2300-60CM 30-0-30 cm w.c.
 2300-80CM 40-0-40 cm w.c.
 2300-100CM 50-0-50 cm w.c.
 2000-60NPA 10-0-50 Pa
 2000-30PA 0-30 Pa
 2000-60PA 0-60 Pa
 2000-100PA 0-100 Pa
 2000-125PA 0-125 Pa
 2000-150PA 0-150 Pa
 2000-200PA 0-200 Pa
 2000-250PA 0-250 Pa
 2000-300PA 0-300 Pa
 2000-350PA 0-350 Pa
 2000-400PA 0-400 Pa
 2000-500PA 0-500 Pa
 2000-700PA 0-700 Pa
 2000-750PA 0-750 Pa
 2000-800PA 0-800 Pa
 2000-1000PA 0-1000 Pa



2000-100X10PA 0-100 x 10 Pa
 2000-1250PA 0-1250 Pa
 2000-125X10PA 0-125 x 10 Pa
 2000-1500PA 0-1500 Pa
 2000-150X10PA 0-150 x 10 Pa
 2000-2000PA 0-2000 Pa
 2000-200X10PA 0-200 x 10 Pa
 2000-2500PA 0-2500 Pa
 2000-250X10PA 0-250 x 10 Pa
 2000-3000PA 0-3000 Pa
 2000-300X10PA 0-300 x 10 Pa
 2000-4500PA 0-4500 Pa
 2000-450X10PA 0-450 x 10 Pa
 2000-5000PA 0-5000 Pa
 2000-500X10PA 0-500 x 10 Pa
 2000-6000PA 0-6000 Pa
 2000-600X10PA 0-600 x 10 Pa
 2000-8000PA 0-8000 Pa
 2000-800X10PA 0-800 x 10 Pa
 2300-60PA 30-0-30 Pa
 2300-80PA 40-0-40 Pa
 2300-100PA 50-0-50 Pa
 2300-120PA 60-0-60 Pa
 2300-200PA 100-0-100 Pa
 2300-250PA 125-0-125 Pa
 2300-300PA 150-0-150 Pa
 2300-400PA 200-0-200 Pa
 2300-500PA 250-0-250 Pa
 2300-600PA 300-0-300 Pa
 2300-1000PA 500-0-500 Pa
 2300-1200PA 600-0-600 Pa
 2300-1400PA 700-0-700 Pa
 2300-2000PA 1000-0-1000 Pa
 2300-200X10PA 100-0-100 x 10 Pa
 2300-3000PA 1500-0-1500 Pa
 2300-300X10PA 150-0-150 x 10 Pa
 2300-5000PA 2500-0-2500 Pa
 2300-500X10PA 250-0-250 x 10 Pa
 2300-6000PA 3000-0-3000 Pa
 2300-600X10PA 300-0-300 x 10 Pa
 2000-0.1KPA 0-0.1 kPa
 2000-0.2KPA 0-0.2 kPa
 2000-0.3KPA 0-0.3 kPa
 2000-0.5KPA 0-0.5 kPa
 2000-1KPA 0-1 kPa
 2000-1.25KPA 0-1.25 kPa
 2000-1.5KPA 0-1.5 kPa
 2000-2KPA 0-2 kPa
 2000-2.5KPA 0-2.5 kPa
 2000-3KPA 0-3 kPa

2000-3.5KPA 0-3.5 kPa
 2000-4KPA 0-4 kPa
 2000-5KPA 0-5 kPa
 2000-6KPA 0-6 kPa
 2000-8KPA 0-8 kPa
 2000-10KPA 0-10 kPa
 2000-12KPA 0-12 kPa
 2000-12.5KPA 0-12.5 kPa
 2000-15KPA 0-15 kPa
 2000-20KPA 0-20 kPa
 2000-25KPA 0-25 kPa
 2000-30KPA 0-30 kPa
 2000-35KPA 0-35 kPa
 2000-40KPA 0-40 kPa
 2000-50KPA 0-50 kPa
 2000-60KPA 0-60 kPa
 2000-70KPA 0-70 kPa
 2000-75KPA 0-75 kPa
 2000-80KPA 0-80 kPa
 2000-100KPA 0-100 kPa
 2000-140KPA 0-140 kPa
 2000-170KPA 0-170 kPa
 2000-200KPA 0-200 kPa
 2300-0.4KPA 0.2-0-0.2 kPa
 2300-1KPA 0.5-0-0.5 kPa
 2300-2KPA 1-0-1 kPa
 2300-2.5KPA 1.25-0-1.25 kPa
 2300-3KPA 1.5-0-1.5 kPa
 2300-4KPA 2-0-2 kPa
 2300-5KPA 2.5-0-2.5 kPa
 2300-6KPA 3-0-3 kPa
 2300-7KPA 3.5-0-3.5 kPa
 2300-7.5KPA 3.75-0-3.75 kPa
 2300-8KPA 4-0-4 kPa
 2300-10KPA 5-0-5 kPa
 2300-12KPA 6-0-6 kPa
 2300-16KPA 8-0-8 kPa
 2300-20KPA 10-0-10 kPa
 2000-1MBAR 0-1 Millibar
 2000-1.5MBAR 0-1.5 Millibar
 2000-2MBAR 0-2 Millibar
 2000-2.5MBAR 0-2.5 Millibar
 2000-3MBAR 0-3 Millibar
 2000-4MBAR 0-4 Millibar
 2000-5MBAR 0-5 Millibar
 2000-6MBAR 0-6 Millibar
 2000-8MBAR 0-8 Millibar
 2000-10MBAR 0-10 Millibar
 2000-12MBAR 0-12 Millibar
 2000-15MBAR 0-15 Millibar



2000-20MBAR 0-20 Millibar
 2000-25MBAR 0-25 Millibar
 2000-30MBAR 0-30 Millibar
 2000-35MBAR 0-35 Millibar
 2000-40MBAR 0-40 Millibar
 2000-50MBAR 0-50 Millibar
 2000-60MBAR 0-60 Millibar
 2000-75MBAR 0-75 Millibar
 2000-80MBAR 0-80 Millibar
 2000-100MBAR 0-100 Millibar
 2000-125MBAR 0-125 Millibar
 2000-150MBAR 0-150 Millibar
 2000-200MBAR 0-200 Millibar
 2000-250MBAR 0-250 Millibar
 2000-300MBAR 0-300 Millibar
 2000-350MBAR 0-350 Millibar
 2000-400MBAR 0-400 Millibar
 2000-500MBAR 0-500 Millibar
 2000-600MBAR 0-600 Millibar
 2000-700MBAR 0-700 Millibar
 2000-800MBAR 0-800 Millibar
 2000-1000MBAR 0-100 x 10 Millibar
 2300-2MBAR 1-0-1 Millibar
 2300-3MBAR 1.5-0-1.5 Millibar
 2300-4MBAR 2-0-2 Millibar
 2300-5MBAR 2.5-0-2.5 Millibar
 2300-6MBAR 3-0-3 Millibar
 2300-10MBAR 5-0-5 Millibar
 2300-20MBAR 10-0-10 Millibar
 2300-24MBAR 12-0-12 Millibar
 2300-30MBAR 15-0-15 Millibar
 2300-50MBAR 25-0-25 Millibar
 2300-60MBAR 30-0-30 Millibar
 2300-70MBAR 35-0-35 Millibar
 2300-80MBAR 40-0-40 Millibar
 2300-100MBAR 50-0-50 Millibar
 2300-500MBAR 250-0-250 Millibar
 2000-0.5ZPSI 0-0.5 ounces per square inch
 2000-1ZPSI 0-1 ounces per square inch
 2000-2ZPSI 0-2 ounces per square inch
 2000-3ZPSI 0-3 ounces per square inch
 2000-4ZPSI 0-4 ounces per square inch
 2000-6ZPSI 0-6 ounces per square inch
 2000-8ZPSI 0-8 ounces per square inch
 2000-10ZPSI 0-10 ounces per square inch
 2000-15ZPSI 0-15 ounces per square inch
 2000-16ZPSI 0-16 ounces per square inch
 2000-20ZPSI 0-20 ounces per square inch
 2000-30ZPSI 0-30 ounces per square inch
 2000-32ZPSI 0-32 ounces per square inch

2000-40ZPSI 0-40 ounces per square inch
 2000-50ZPSI 0-50 ounces per square inch
 2000-80ZPSI 0-80 ounces per square inch
 2000-100ZPSI 0-100 ounces per square inch
 2300-2ZPSI 1-0-1 ounces per square inch
 2000-0.1BAR 0-0.10 Bar
 2000-0.2BAR 0-0.20 Bar
 2000-0.5BAR 0-0.5 Bar
 2000-1BAR 0-1 Bar
 2000-1.5BAR 0-1.5 Bar
 2000-2BAR 0-2 Bar
 2300-0.1BAR 0.05-0-0.05 Bar
 2000-0.5KG 0-0.5 KG/CM2
 2000-1KG 0-1 KG/CM2
 2000-1.5KG 0-1.5 KG/CM2
 2000-2KG 0-2 KG/CM2



Con opzione VF

2000-10VF1 0-10" w.c. & 0-20 SCFM air (w/1" NPT Tube)
2000-10VF2 0-10" w.c. & 0-50 SCFM air (w/1.5" NPT Tube)
2000-10VF3 0-10" w.c. & 0-85 SCFM air (w/2" NPT Tube)
2000-10VF4 0-10" w.c. & 0-200 SCFM air (w/3" NPT Tube)
2000-10VF5 0-10" w.c. & 0-350 SCFM air (w/4" NPT Tube)
2000-20VF1 0-20" w.c. & 0-30 SCFM air (w/1" NPT Tube)
2000-20VF2 0-20" w.c. & 0-70 SCFM air (w/1.5" NPT Tube)
2000-20VF3 0-20" w.c. & 0-120 SCFM air (w/2" NPT Tube)
2000-20VF4 0-20" w.c. & 0-290 SCFM air (w/3" NPT Tube)
2000-20VF5 0-20" w.c. & 0-500 SCFM air (w/4" NPT Tube)
2000-40VF1 0-40" w.c. & 0-40 SCFM air (w/1" NPT Tube)
2000-40VF2 0-40" w.c. & 0-100 SCFM air (w/1.5" NPT Tube)
2000-40VF3 0-40" w.c. & 0-160 SCFM air (w/2" NPT Tube)
2000-40VF4 0-40" w.c. & 0-395 SCFM air (w/3" NPT Tube)
2000-40VF5 0-40" w.c. & 0-675 SCFM air (w/4" NPT Tube)

Aggiungere -RM per il modello senza tubo