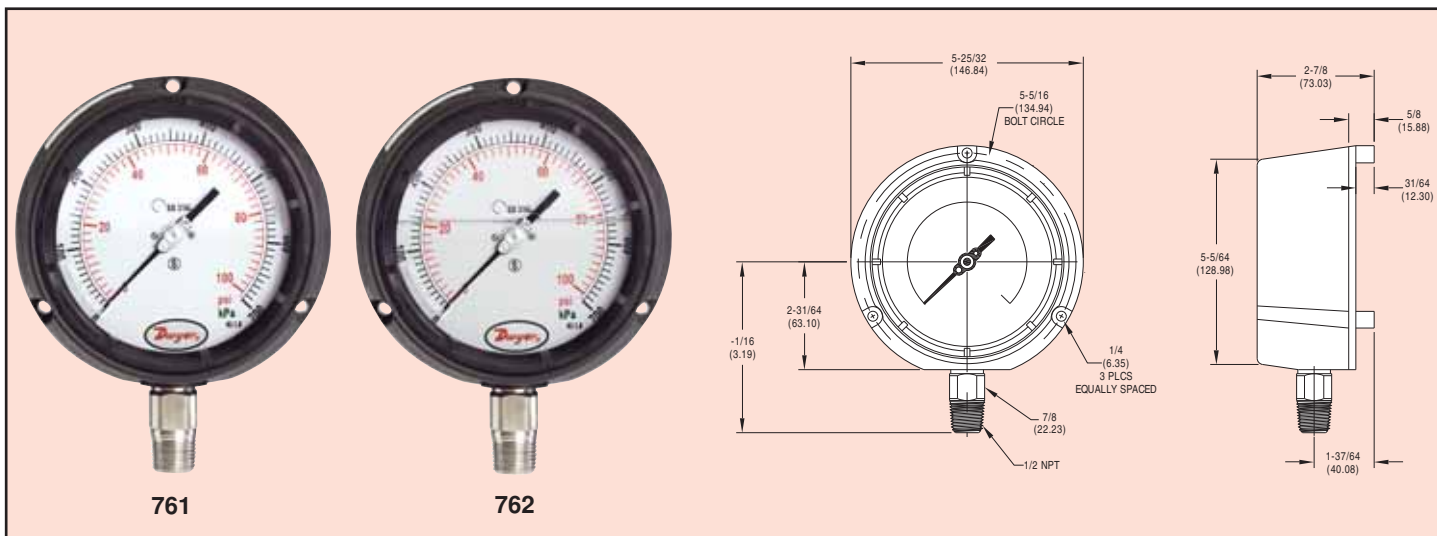




Series 761 & 762 Process Pressure Gage

Liquid-Fillable or Glycerin-Filled



Series 761/762 Process Pressure Gages have a dual English/metric scale with $\pm 0.5\%$ or $\pm 1\%$ full scale accuracy. Series 761 gages may be easily liquid filled in the field without the need for a separate kit. Series 762 gages have a glycerin-filled housing, providing superior performance in applications where vibration, pulsation, mechanical shock and pressure spikes are common. The gages are designed with 316L SS tube and socket for excellent chemical compatibility and are offered in a wide selection of ranges, from full vacuum, compound to 20,000 psi.

APPLICATIONS

Chemical, Refinery, Fertilizer, Petrochemical, Pharmaceutical, Power, Oil, Cement, Sugar, Food and Beverage, Pulp and Paper, and Waste Water.

SPECIFICATIONS

- Service:** Compatible gases and liquids.
- Wetted Materials:** 316L SS Bourdon tube & connection.
- Housing:** Fiberglass reinforced Polypropylene.
- Lens:** Shatterproof safety glass.
- Accuracy:** 761: $\pm 0.5\%$ full scale, ASME B40.1, Grade 2A; 762: $\pm 1\%$ full scale, ASME B40.1, Grade 1A.
- Pressure Limit:** 130% of full scale for ranges 8000 psi or less. 115% of full scale for ranges greater than 8000 psi.
- Temperature Limit:** Ambient: -4 to 150°F (-20 to 65°C); 761 Process: 300°F max (150°C max); 762 Process: 150°F max (65°C max).
- Size:** 4-1/2" (115 mm).
- Process Connection:** 1/2" male NPT.
- Enclosure Rating:** NEMA 3 (IP55).
- Weight:** 761: 1.4 lb (650 g); 762: 1.6 lb (750 g).

Model Number	Range	Model Number	Range
761-1	0-15 psi (0 to 100 kPa)	761-15	0-3000 psi (0 to 20 MPa)
761-2	0-30 psi (0 to 200 kPa)	761-16	0-4000 psi (0 to 28 MPa)
761-3	0-60 psi (0 to 400 kPa)	761-17	0-5000 psi (0 to 34 MPa)
761-4	0-100 psi (0 to 700 kPa)	761-18	0-6000 psi (0 to 40 MPa)
761-5	0-160 psi (0 to 1100 kPa)	761-19	0-10000 psi (0 to 70 MPa)
761-6	30" Hg-0 vac (0 to -100 kPa)	761-20	0-15000 psi (0 to 100 MPa)
761-7	0-200 psi (0 to 1400 kPa)	761-21	0-20000 psi (0 to 140 MPa)
761-8	0-300 psi (0 to 2000 kPa)	761-22	30" Hg-0-15 psi (-100 to 100 kPa)
761-9	0-400 psi (0 to 2800 kPa)	761-23	30" Hg-0-30 psi (-100 to 200 kPa)
761-10	0-500 psi (0 to 3400 kPa)	761-24	30" Hg-0-60 psi (-100 to 400 kPa)
761-11	0-600 psi (0 to 4000 kPa)	761-25	30" Hg-0-100 psi (-100 to 700 kPa)
761-12	0-1000 psi (0 to 7000 kPa)	761-26	30" Hg-0-150 psi (-100 to 100 kPa)
761-13	0-1500 psi (0 to 10 MPa)	761-27	30" Hg-0-200 psi (-100 to 1400 kPa)
761-14	0-2000 psi (0 to 14 MPa)	761-28	30" Hg-0-300 psi (-100 to 2000 kPa)

For glycerin fill change series from 761 to 762.