

MAGNESENSE® II DIFFERENTIAL PRESSURE TRANSMITTER

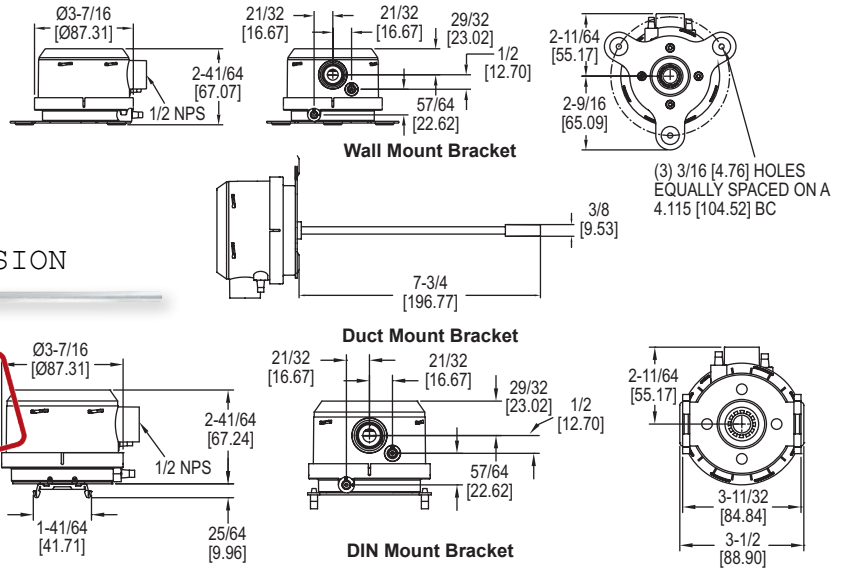
Monitors Pressure, Air Velocity and Air Flow, BACnet or Modbus® Communications



STANDARD
VERSION+LCD



DUCT VERSION



DISCONTINUED

The Series MS2 Magnesense® II Differential Pressure Transmitter combines the proven stable piezo technology and the versatility of our original Series MS with additional features to reduce installation time and simplify ordering. Like the original Series MS, the second generation transmitter can be used as a linear pressure output or a linear velocity output with the square root extraction done in the transmitter. Additional parameters have been included to expand the square root capability to include flow measurements.

FEATURES/BENEFITS

- Field selectable ranges and output signal reduce inventory and the chances of ordering an incorrect part
- BACnet or Modbus serial communications reduce wiring cost by daisy-chaining the transmitters
- Our integral field-upgradeable display or plug-in remote display tool save upfront material cost and allow for local viewing of measurements

APPLICATIONS

- Filter monitoring in air handler units
- Building pressure in pharmaceutical-semi-conductor clean rooms
- Duct static pressure in commercial buildings
- Air velocity/flow in VAV systems

SPECIFICATIONS

<p>Supported Baud Rates: 9600, 19200, 38400, 57600, 76800, 115200.</p> <p>Data Size: 8.</p> <p>Parity: None.</p> <p>Stop Bits: 1.</p> <p>Service: Air and non-combustible, compatible gases.</p> <p>Wetted Materials: Consult factory.</p> <p>Typical Accuracy: ±1% FS for 0.15 in w.c. (40 Pa), 0.25 in w.c. (50 Pa), 0.5 in w.c. (125 Pa), 2 in w.c. (500 Pa), 3 in w.c. (750 Pa), 5 in w.c. (1250 Pa), 10 in w.c. (2 kPa), 15 in w.c. (3 kPa), 25 in w.c. (5 kPa), 28 in w.c. (6.975 kPa); ±2% FS for 0.1 in w.c. (25 Pa), 1 in w.c. (250 Pa), and all bi-directional ranges.</p> <p>Stability: ±1% / year FSO.</p> <p>Temperature Limits: 0 to 150°F (-18 to 66°C).</p> <p>Pressure Limits: 1 psi max., operation; 10 psi burst.</p> <p>Power Requirements: 10 to 35 VDC (2-wire), 17 to 36 VDC or isolated 21.6 to 33 VAC (3-wire).</p>	<p>Output Signals: 4 to 20 mA (2-wire), 0 to 5 VDC, 0 to 10 VDC (3-wire).</p> <p>Response Time: Adjustable: 0.5 to 15 sec. time constant. Provides a 95% response time of 1.5 to 45 seconds.</p> <p>Zero & Span Adjustments: Digital push buttons.</p> <p>Loop Resistance: Current output: 0 to 1250 Ω max; Voltage output: Min. load resistance 1 kΩ.</p> <p>Current Consumption: 40 mA max.</p> <p>Display (Optional): 5 digit LCD.</p> <p>Electrical Connections: 3-wire removable European style terminal block for 16 to 22 AWG.</p> <p>Electrical Entry: 1/2" NPS thread.</p> <p>Process Connection: 3/16" ID tubing (5 mm ID); Max. OD 9 mm.</p> <p>Enclosure Rating: IP66.</p> <p>Mounting Orientation: Not position sensitive.</p> <p>Weight: 8.0 oz (230 g).</p> <p>Agency Approvals: BTL, CE.</p>
---	---

MODEL CHART

Model	in w.c.	Pa	mm w.c.	kPa
MS2-W101	0.10, 0.15, 0.25, 0.50	25, 40, 50, 125	2.5, 4, 6, 10	0.025, 0.04, 0.05, 0.125
MS2-W111	±0.10, ±0.15, ±0.25, ±0.50	±25, ±40, ±50, ±125	±2.5, ±4, ±6, ±10	±0.025, ±0.04, ±0.05, ±0.125
MS2-W102	1, 2, 3, 5	250, 500, 750, 1250	25, 50, 75, 125	0.25, 0.5, 0.75, 1.25
MS2-W112	±1, ±2, ±3, ±5	±250, ±500, ±750, ±1250	25, 50, 75, 125	0.25, 0.5, 0.75, 1.25
MS2-W103	10, 15, 25, 28	2500, 3500, 5000, 6975	250, 350, 500, 697.5	2.5, 3.5, 5.0, 6.975
	±10, ±15, ±25, ±28	±2500, ±3500, ±5000, ±6975	±250, ±350, ±500, ±697.5	±2.5, ±3.5, ±5.0, ±6.975

Note: For duct mount static probe change W to D. **Example:** MS2-D101
For DIN rail mounting change W to N. **Example:** MS2-N101

OPTIONS

To order add suffix:	Description
-LCD	Units with display
Example: MS2-W101-LCD	
-BC	BACnet Communications
Example: MS2-W101-BC	
-MC	Modbus® Communications
Example: MS2-W101-MC	
-NIST	NIST traceable calibration certificate
Example: MS2-W101-NIST	
-FC	Factory calibration certificate
Example: MS2-W101-FC	

ACCESSORIES

Model	Description
A-151	Cable gland for 5 to 10 mm diameter cable
A-MS2-LCD	Field upgradeable display
A-435-A	Remote display tool
A-480	Plastic static pressure tip
A-481	Installer kit; includes 2 plastic static pressure tips and 7 ft (2.1 m) of PVC tubing
A-489	4" 303 SS straight static pressure tip with flange
A-302F-A	4" 303 SS static pressure tip with mounting flange; for 3/16" ID rubber or plastic tubing
SCD-PS	100 to 240 VAC/VDC to 24 VDC power supply

Modbus® is a registered trademark of Schneider Automation, Inc.
Process Tubing Options: See page 503 (Gage Tubing Accessories)

ULTERIORI OPZIONI

- AT targhetta di alluminio personaliz. 2 righe x 9 caratt.
- COC certificato di calibrazione
- DS copertura con essiccatore
- GLD con pressacavo
- ST targhetta inox personaliz. 3 righe x 18 caratt.
- STA con prese statiche A-480



VERSIONE ATEX



CODE	AT2	-	MS2	-		-		-												
Housing	MagneseSense		MS2																	
Output	Range 0.1-0.15-0.25-0.5 Inch W.C./25-40-50-125 Pa																			
	Range 1-2-3-5" Inch W.C./250-500-750-1250 Pa																			
	Range 10-15-25-28 Inch W.C./2500-3500-5000-6975 Pa																			
	Range bidirectional: $\pm 0.1-0.15-0.25-0.5$ Inch W.C./25-40-50-125 Pa																			
	Range bidirectional: 1,2,3,5" Inch W.C./250-500-750-1250 Pa																			
	Other ranges Non standard not in the above list																			
Communication	Modbus																			MC
	Bacnet																			BC
Options	Without display																			
	Display LCD																			LCD
Case material	Alluminium																			A
	Stainless steel (s.s. connection included)																			S
Housing options	Blind top cover																			B
	Glass transparent cover																			0
	1/8" NPT F brass pressure port																			1
	1/8" NPT F stainless steel (only for aluminium housing)																			2
	Standard - without overpressure relief valve																			X
	Overpressure relief valve* (material: same as presure ports)																			OPV
Other options	Stainless steel tag																			T2
	See "other options" - Possible more than one option																			...

